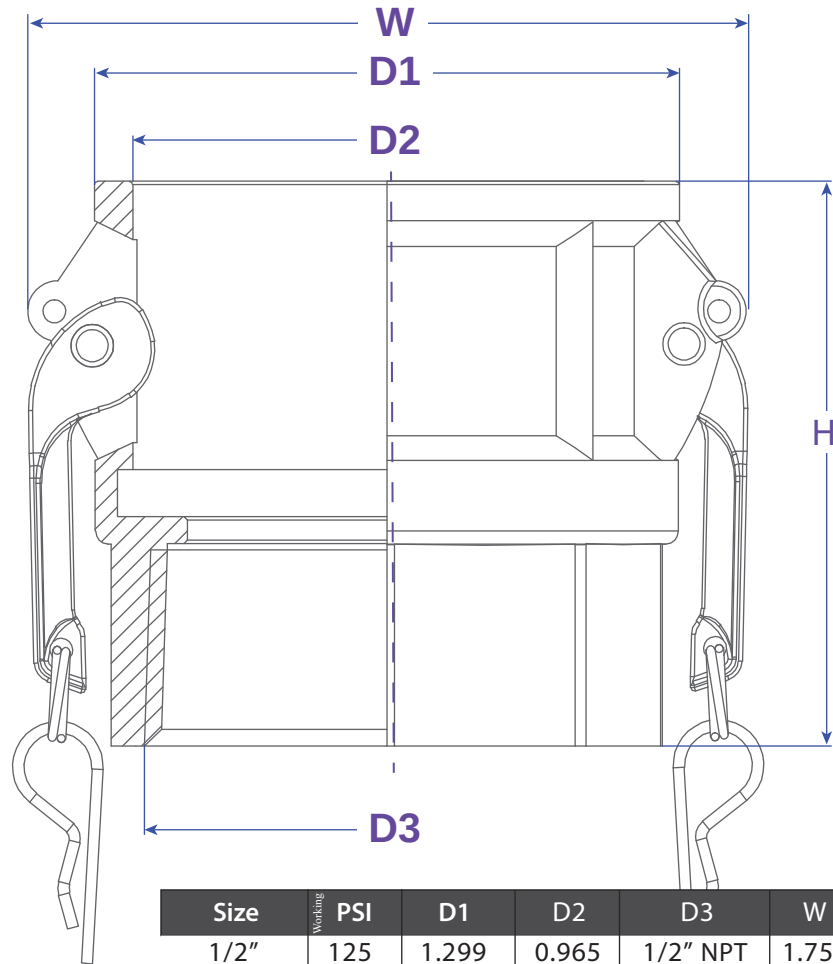


TYPE D



Size	Working PSI	D1	D2	D3	W	H	PART #
1/2"	125	1.299	0.965	1/2" NPT	1.752	2.047	D050SS, SS304
1/2" x 3/4"	125	1.578	1.272	1/2" NPT	2.432	1.728	D05075SS, SS304
3/4"	150	1.398	1.272	3/4" NPT	1.795	2.362	D075SS, SS304
1"	150	1.796	1.465	1" NPT	2.165	2.520	D100SS, SS304
1-1/4"	150	2.165	1.811	1-1/4" NPT	2.598	3.232	D125SS, SS304
1-1/2"	150	2.221	2.122	1-1/2" NPT	2.559	3.465	D150SS, SS304
2"	150	2.894	2.508	2" NPT	2.835	3.780	D200SS, SS304
2-1/2"	150	3.465	3.008	2-1/2" NPT	3.347	4.252	D250SS, SS304
3"	150	3.752	3.626	3" NPT	3.327	5.079	D300SS, SS304
4"	150	4.894	4.732	4" NPT	3.543	6.181	D400SS, SS304
5"	75	6.378	5.752	5" NPT	3.780	---	D500SS, SS304
6"	75	7.579	6.949	6" NPT	4.055	8.898	D600SS, SS304

FEATURES & APPLICATIONS:

• **General Uses:**

A camlock fitting is a type of coupling that is used to connecting hose and or pipes together that transfers liquids, powders and granules. A straight through connection is made that maintains the pipe size and allows the free flow of materials being transferred.

WARNING: Cam & Groove Couplings should NOT be used with any compressed gas, including steam or air. Metal fittings should NOT be used with Polypropylene Cam & Groove. Dust Caps and Dust Plugs are NOT designed for pressure applications.

Note: All Seal Fast Cam & Groove Stainless Bodies are 316 Investment with 304 Handles.

TITLE TYPE D - FEMALE COUPLER X FEMALE NPT	
<p>DISCLAIMER</p> <p>All drawings and specifications are subject to change without notice. Drawings represent general dimensions of our products. Seal Fast cannot guarantee the dimensions in the drawing will exactly match those in the drawing. This drawing is the property of Seal Fast Inc. Copying or reproduction of this drawing is expressly prohibited.</p>	<p>MATERIAL</p> <p>SUS 316, 304</p>
<p>DRAWING NOT TO SCALE</p>	<p>PART #</p> <p>D...SS, SS304</p>

